

Project:	
Type:	
Catalog #:	



SPECIFICATIONS: INTERNAL

The TEMPE COMBO has a 120/277V input. The maintenance free, sealed nickel cadmium batteries provide a minimum 90 minutes of emergency duration. Upon power failure the internal solid state transfer switch automatically switches load from AC to DC operation. Fully automatic solid-state, two-rate charger initiates battery charging to recharge battery within 24 hours.

SPECIFICATIONS: EXTERNAL

The TEMPE COMBO is designed to provide a durable and attractive life safety solution. The TEMPE COMBO is manufactured from sturdy die-cast aluminum and comes standard with a brushed aluminum face and black housing. Other housing and faceplate color options are available. A universal mounting canopy is included for ceiling and end mount installations. Indoor / damp location rated. Meets UL924, NFPA 101 Life Safety Code, NEC, OSHA, Local and State Codes.

SPECIFICATIONS: MECHANICAL

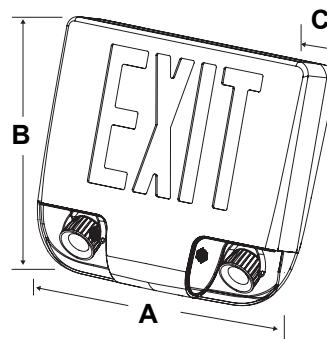
The TEMPE COMBO is constructed from durable die-cast aluminum. Universal mounting pattern and key hole slots are stamped on the back. Field removable directional chevrons are standard. The TEMPE COMBO is supplied standard with a brushed aluminum curved face(s) and a black powder coated housing. Other housing and faceplate color options available.

SPECIFICATIONS: BATTERY

The TEMPE COMBO is designed with a maintenance free 8.4V NiCd battery providing a minimum emergency duration of 90 minutes. Recharge time of the battery is twenty-four [24] hours. The battery operating temperature is 0°C to 50°C.



DIMENSIONS (in, mm)



Series A	A	B	C
TEM-C	12 ¹ / ₂ " / 317.5mm	11 ³ / ₄ " / 298.45mm	2 ³ / ₈ " / 60.3mm

ORDERING LOGIC

Series	LED	Face No.	Housing	Faceplate	Options
TEM-C	RD (Red)	S (single)	BK (black)	BK (black)	RC ¹ (remote capable)
	GN (Green)	D (double)	BA (brushed aluminum)	BA (brushed aluminum)	BPG-5 ² (wireguard)
		U (universal)	WH (white)	WH (white)	

NOTE 1: Remote capable: 3W max.

NOTE 2: Order as separate line item. Available for wall mount only.

ELECTRICAL INFORMATION

Series A	Input Watts(W)		Input Amps(A)	
	120V	277V	120V	277V
TEM-C	4.6	4.8	0.053	0.024

PERFORMANCE

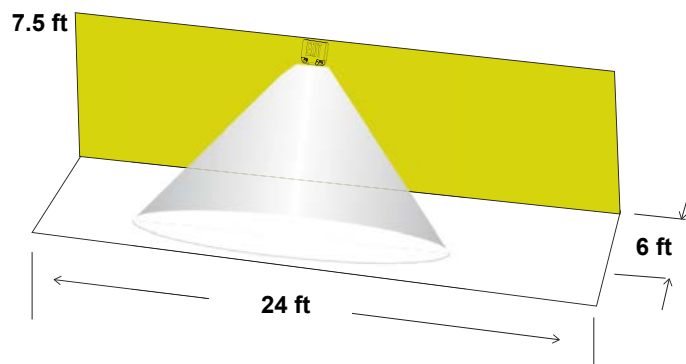
- 3W LED x 2
- 172 lumens in emergency mode
- Min: 0.03
- Max: 2.67
- Average: 0.70

EMERGENCY HEADS

The TEMPE COMBO is supplied with two [2] bottom mounted 3W MR16 LED lamps. The lamps are enclosed within a polycarbonate lens that offers superior optical performance and protection.

WARRANTY

The TEMPE COMBO comes with a 3-year factory warranty. Deliberate damage, misuse, improper installation effectively cancel the warranty.



Meets NFPA 101 Requirements for: 21' center-to-center spacing - 4' path of egress 0' from wall - 7 1/2' mounting height